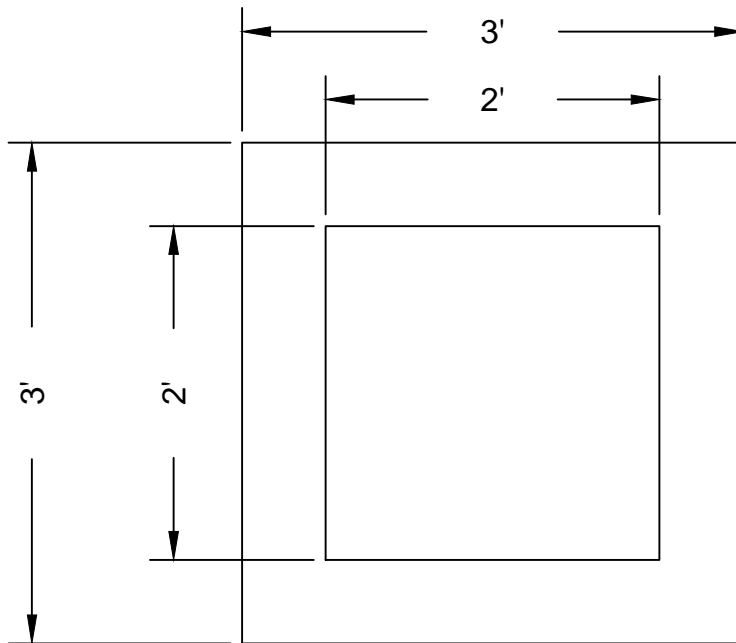


2' x 2' CATCH BASIN



- NOTES:
- CONCRETE TO BE MIN. 4000 PSI AT 28 DAYS
 - 5% AIR ENTRAINED

