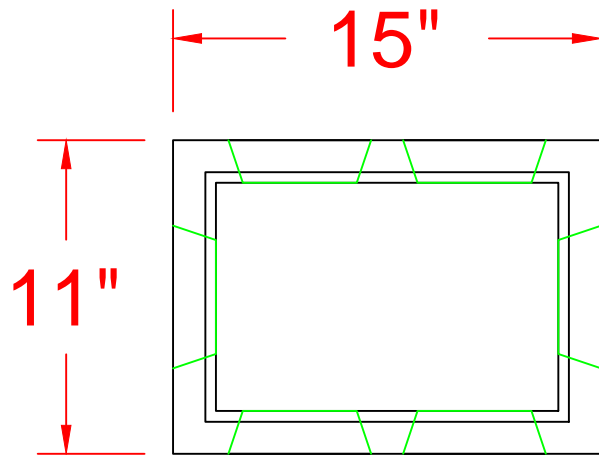




5 OUTLET DISTRIBUTION BOX



CONCRETE TO BE MIN. 5000 PSI AT 28 DAYS
6% AIR ENTRAINED

