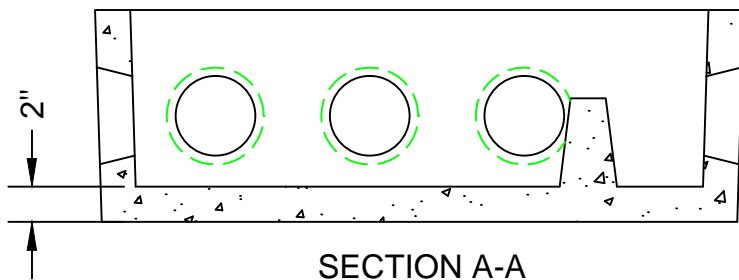
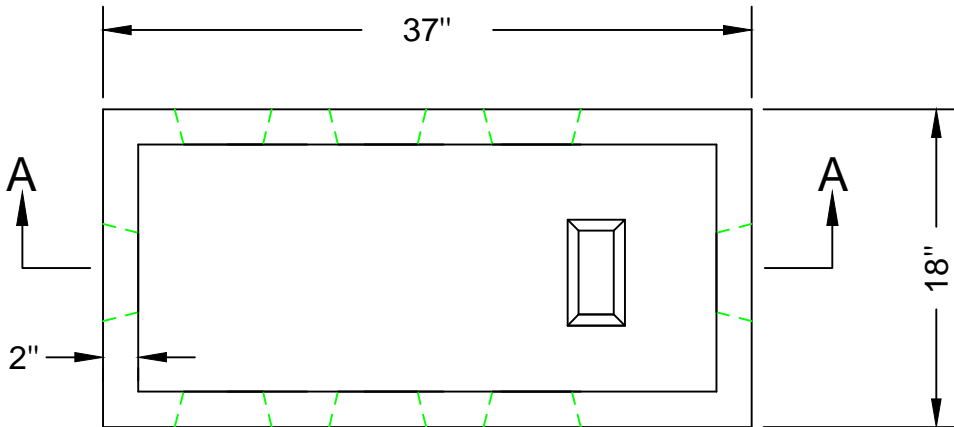
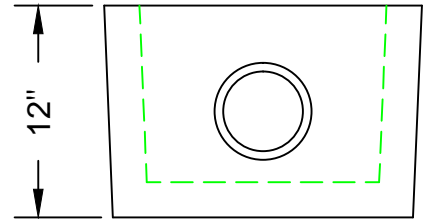
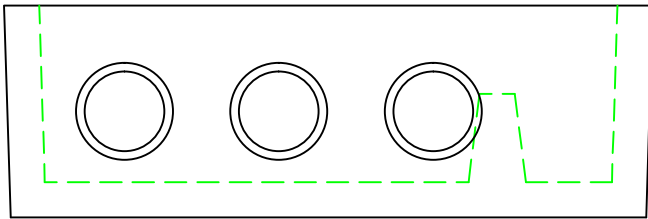
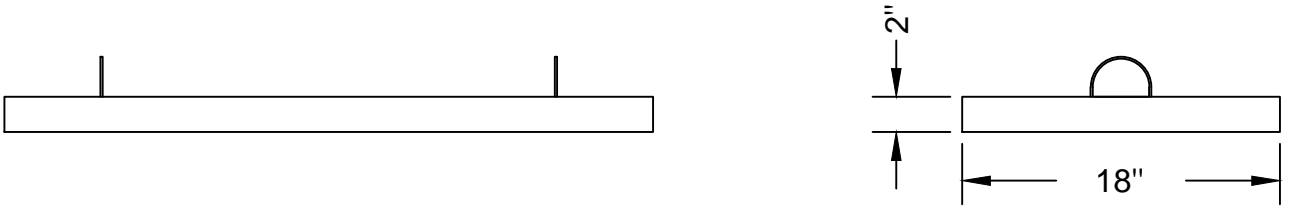




7 OUTLET DISTRIBUTION BOX



SECTION A-A

- NOTES:
- CONCRETE TO BE MIN. 4000 PSI AT 28 DAYS
 - 5% AIR ENTRAINED
 - TUF-TITE TS4PRO SEAL AT ALL PIPE CONNECTIONS