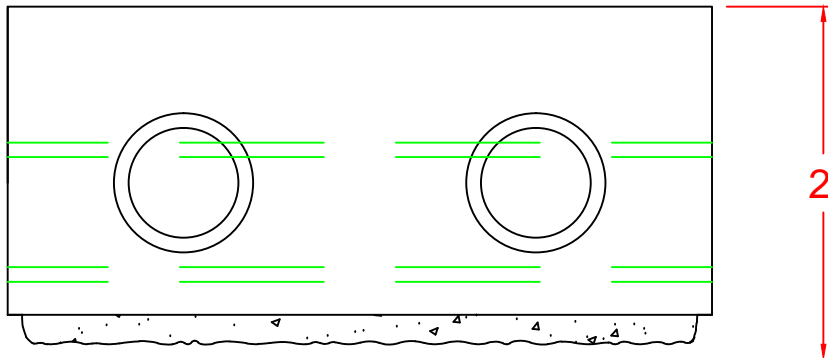
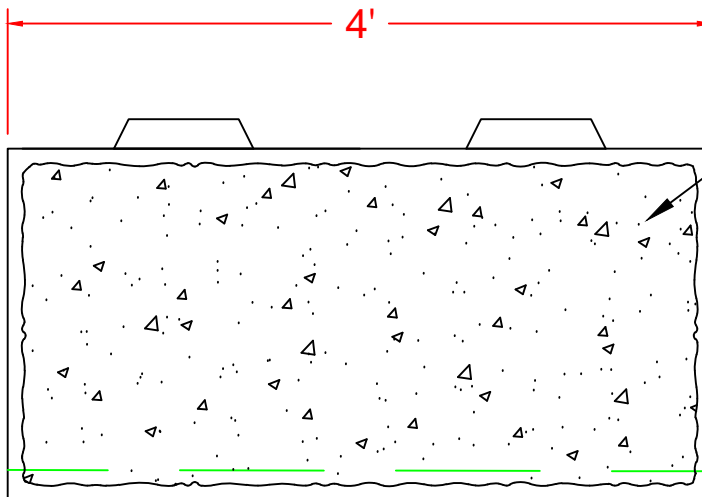


RETAINING WALL BLOCK WITH ROCK FACE



CONCRETE TO BE MIN. 5000 PSI AT 28 DAYS
6% AIR ENTRAINED



CHISELED ROCK FACE IMITATION

