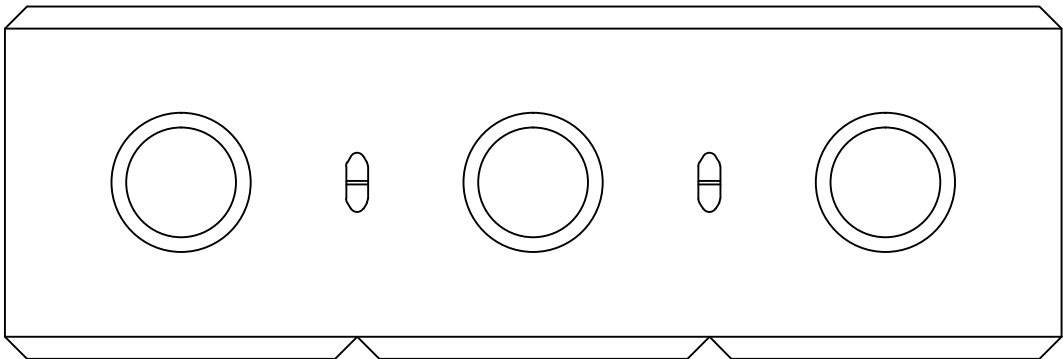




SEA WALL RETAINING BLOCK



A AVAILABLE IN 2', 4' AND 6' LENGTH

CONCRETE TO BE MIN. 5000 PSI AT 28 DAYS
6% AIR ENTRAINED

